

## STAR 8 STAR 10



- 10 ft 2 in (3,1m) outreach.
- Compact: 345°. Rotation with zero tail swing.
- 441 lb (200 kg) platform capacity.
- Proportional electric controls.
- High autonomy.
- Internal and external use



## The Haulotte® advantages

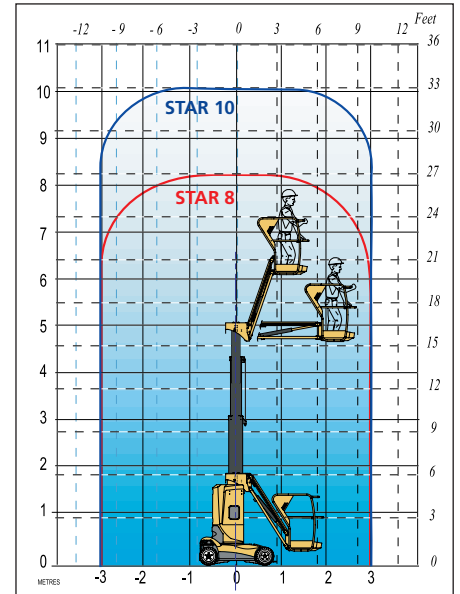
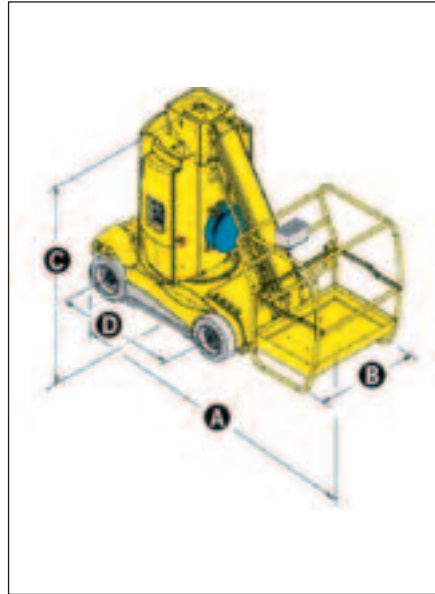
- Full electric drive with the ability to drive at full height
- Proportional controls provide for smooth and progressive movements
- Narrow turning radius for better accessibility
- Increased safety with 3° slope sensor and pot hole protection
- The positive/negative jib offers more flexibility throughout the working envelope
- 2.8 mph (4.5 km/h) travel speed
- 23% gradeability
- Low total weight for easier transport and more applications
- Ergonomic and spacious cage design
- Robust, reliable and easy to maintain

### STANDARD FEATURES

- 24 V Electric motor
- 24 V – 240 Ah traction batteries
- 30 Amp battery charger
- Battery charge indicator
- 2 drive speed
- 2 back driving wheels
- 2 front steering wheels
- Non marking tyres
- Free wheel device
- Hourmeter
- Horn in cage
- Emergency stop buttons at cage and ground
- 2 Control stations, cage and ground

### OPTIONS & ACCESSORIES

- Centralised battery filling
- Flashing beacon
- Safety harness anchor points
- Motion alarm
- 220V line to cage
- Airline to cage



### SPECIFICATIONS

|                        | Star 8                           | Star 10            |
|------------------------|----------------------------------|--------------------|
| Working Height         | 8.20 m / 28 ft 9 in              | 10 m / 32 ft 10 in |
| Platform Height        | 6.20 m / 22 ft 2 in              | 8 m / 26 ft 3 in   |
| Horizontal outreach    | 3,1m / 10 ft 2 in                |                    |
| Platform Capacity      | 200 kg / 441 lb                  |                    |
| <b>A</b> Length        | 2,65m / 8 ft 8 in                |                    |
| <b>B</b> Width         | 0.99m / 3ft 2in                  |                    |
| <b>C</b> Stowed Height | 1.99 m / 6 ft 6 in               |                    |
| <b>D</b> Wheelbase     | 1.2 m / 3 ft 11 in               |                    |
| Ground Clearance       | de 2,5 cm à 10 cm / 1 in to 4 in |                    |
| Platform size          | 0.92x0.68m / 36 in x 27 in       |                    |
| Tailswing              | 0                                |                    |
| Drive speed            | 0.7 - 4.5 km/h / 0.43 - 2.8 mph  |                    |
| Outside turning radius | 1.87m / 6ft 1 in                 |                    |
| Turntable rotation     | 345°                             |                    |
| Traction batteries     | 24 V (2 x 12 V) / 240 Ah         |                    |
| Gradeability           | 23%                              |                    |
| Tilt alarm             | 3°                               |                    |
| Non marking tyres      | 16" x 5" x 10,5"                 |                    |
| Weight                 | 2700kg / 5952 lb                 | 2760 kg / 6085 lb  |

AS 1418.10



**DAVIS**  
**Access**

Telephone: 0117 967 0811  
Email: [info@davisaccess.co.uk](mailto:info@davisaccess.co.uk)  
Web: [www.davisaccess.co.uk](http://www.davisaccess.co.uk)